

# LED ADJUSTABLE CCT SLIM DOWNLIGHT SERIES

## SES-SDL4



### Technical Specifications

|                |                                       |
|----------------|---------------------------------------|
| Size:          | 4.8" L x 4.8" W x 1" D                |
| Watts:         | 9W                                    |
| Lumen:         | 700lm                                 |
| CCT:           | 2700K + 3000K + 3500K + 4000K + 5000K |
| Voltage:       | AC120V (50/60Hz)                      |
| Dimmable:      | TRIAC                                 |
| Beam Angle:    | 120°                                  |
| CRI:           | >80                                   |
| PF:            | >0.9                                  |
| IP Rate:       | IP44                                  |
| Materials:     | Aluminum, PC                          |
| Housing Color: | White                                 |
| Optional Trim: | Silver, Black, Brushed Nickel         |
| Lifespan:      | 50,000 hours                          |

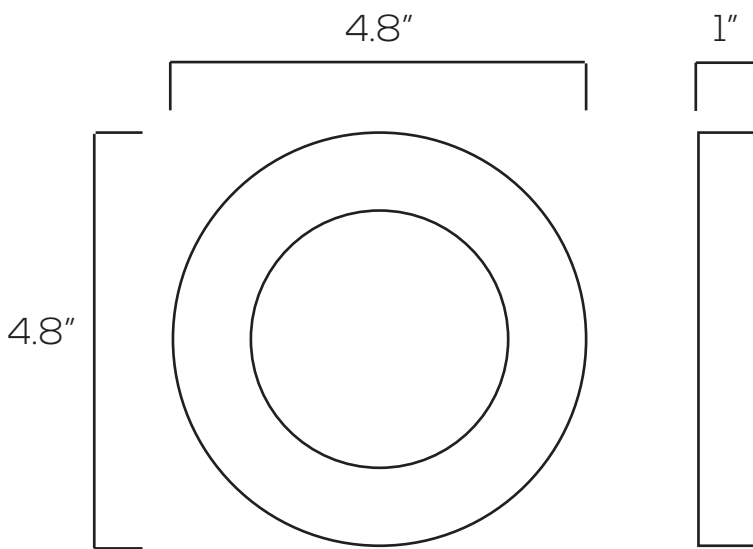


## Features

LED Slim Downlights can be safe to use in damp locations that rarely have direct water contact, such as bathrooms and awnings. Extremely thin for tight locations and no housing or additional hardware is required. This driver has a switch for 5 different color temperatures. The junction box is included for easy installation. LED Downlights are perfect for gas stations, hotels, and offices.



## Dimensions



## Optional Snap-On Trim Accessories



Bronze (BR)



Black (BL)



Brushed Nickel (BN)



## Model Numbers

10192: SES-SDL4-CCT-9



40192-A



40192-B



40192-C