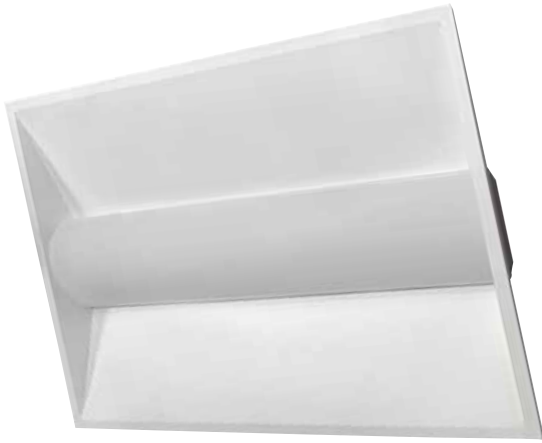
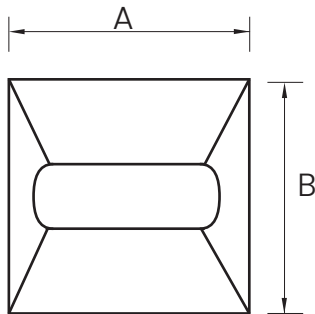


FEATURES



- 130 lm/W, DLC Premium.
- Flicker Free.
- UV Treated PC diffuser for Anti yellowing with time.
- Inputs voltage range : 100 -277 V, 50-60Hz.
- CCT : 3500K to 5000K, Dimming optional.
- CCT & Power Tunable options available.

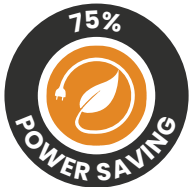
PHYSICAL PARAMETERS



Wattage	A (ft)	B (ft)
30 W - 50 W	2	2

DESCRIPTION

The Averlite LED Troffers are the replacements for new or remodel construction fluorescent troffers. Its high-performance optic system, advanced light distribution, and architectural styling troffers. Its high-performance optic system, advanced light distribution, and architectural styling deliver unprecedented value. High efficacy, excellent color rendering, and low glare combined with sustainable construction position make these fixtures ideal solutions for offices, schools, hospitals, retail, and other applications.



ORDERING INFORMATION

SERIES CODE

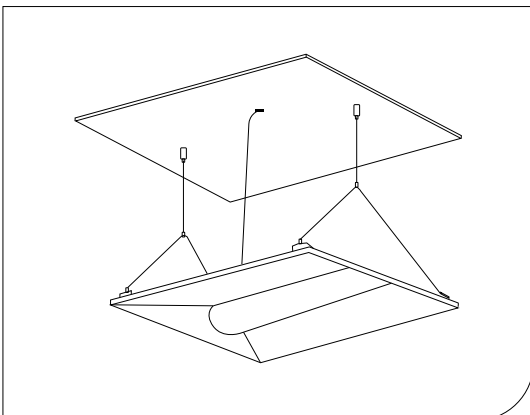
Model Number	Wattage	CCT Optional	CRI	Efficacy	Diffuser Type
802D0020WCCLXXY	20 W	3500 K - 5000 K	80	130 lm/W	Polycarbonate
802D0030WCCLXXY	30 W	3500 K - 5000 K	80	130 lm/W	Polycarbonate
802D0040WCCLXXY	40 W	3500 K - 5000 K	80	130 lm/W	Polycarbonate

FIXTURE DETAILS

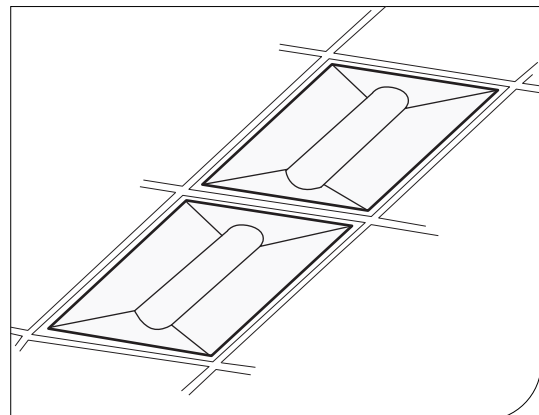
Size	2' x 2'			2' x 2'		
CCT & Power	Fixed			Tunable		
Efficacy	130 lm/W					
Wattage	20 W	30 W	40 W	20 W	30 W	40 W
Lumen Output	2600 lm	3900 lm	5200 lm	2600 lm	3900 lm	5200 lm
LED Brand and Package	BRIDGELUX, 2835, 0.5 W					
Operating Temperature	-14° F to +113° F					
Number of LEDs	195	195	195	390	390	390
IP Rating	IP20					
Power Factor	> 0.95					

MOUNTING OPTIONS

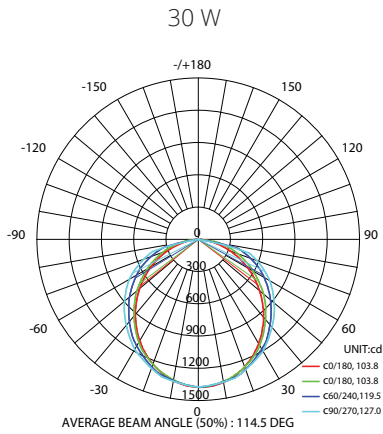
A. Hanging / Suspension Mount



B. Embedded Mount by Spring clip



DISTRIBUTION DIAGRAM



INSTALLATION

A. Hanging / Suspension Mount

1. Lock the lockparts of the wire rope branching to the LED Troffers. (Figure 1)
2. Lock the hanging part of the wire rope to the ceiling.(Figure 2)
3. Lock the lockpart of the main wire rope to the wire rope hanger, connect with the power cable. (Figure 3)
4. Finish installation, power on working. (Figure 4)

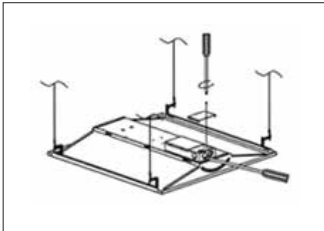


Figure 1

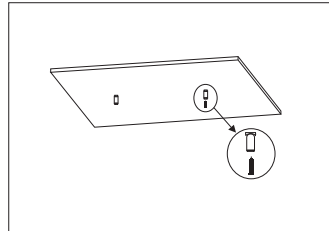


Figure 2

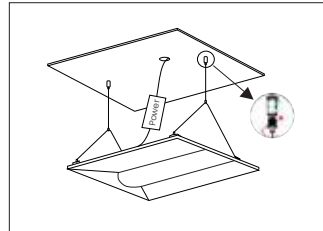


Figure 3

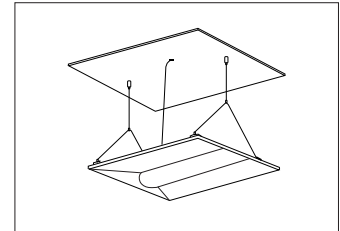


Figure 4

B. Embedded Mount by Spring clip

1. Make sure the POWER IS TURNED OFF at the source to the location at which you are installing the product.
2. Remove existing LED Troffers if applicable.
3. Before installing the LED Troffers in the ceiling, pull up the safety hooks on the back of the luminaire. (Figure 1)
4. Insert the LED Troffers into the ceiling so it rests securely on the T-grid, Bend each safety hook 90 degree so they extend over the T-grid on both sides of the fixture. (Figure 2)

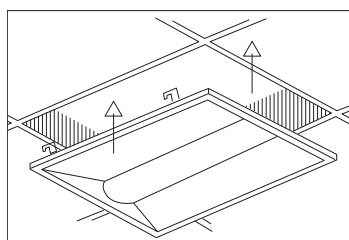


Figure 1

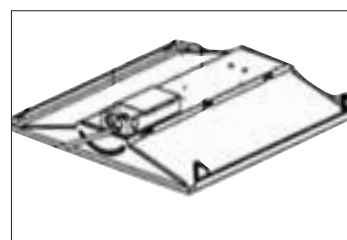


Figure 2