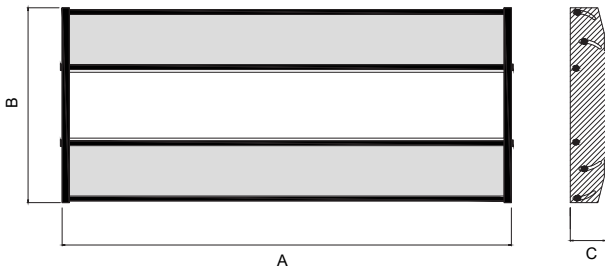


## FEATURES



- 100,000 hours of lifetime
- Superior heat dissipation capability due to use of multiple heat sinks
- Smooth and uniform light output with no flickering or humming
- Sleek design and Low-profile makes it suitable for a wide range of applications
- Resistant to vibration and water
- Savings of up to 75% over conventional fluorescent fixtures
- Inputs voltage range : 100 -277 V, 50-60Hz

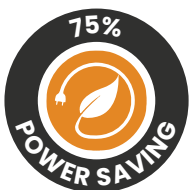
## PHYSICAL PARAMETERS



Wattage	A (in)	B (in)	C (in)
100 W-240 W	23.66	11.8	1.9
300 W-400 W	46.7	11.8	1.9

## DESCRIPTION

The Averlite LED Linear High Bay is designed for a variety of applications and mounting heights. Wide angle optics, multiple lumen packages, and color temperatures make it ideal for industrial, commercial, manufacturing, gymnasium and other applications that use traditional linear fluorescent and HID fixtures. Suggested mounting heights are between 15-25 height. This high bay reduces up to 70% of the energy usage and has a lifespan of over ten years. This fixture is available in a frosted or clear lens.



## ORDERING INFORMATION

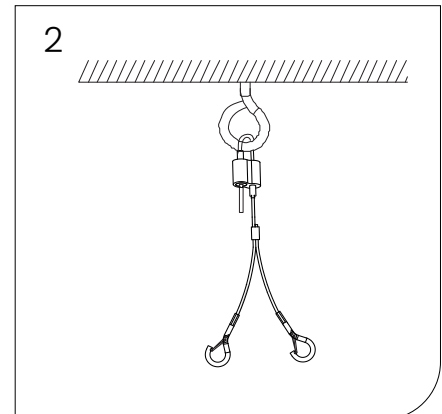
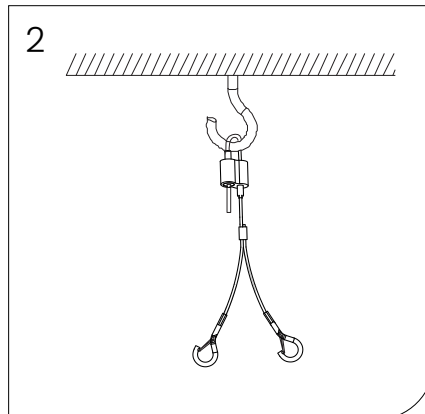
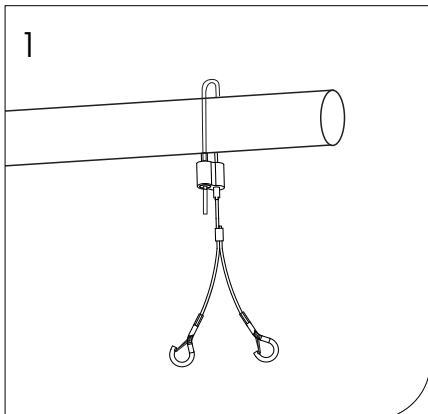
Part Number	Wattage	CCT Optional	CRI	Efficacy	Diffuser Type
AV-HB-02-100-50LM3	100 W	3500 K - 5000 K	80	140 lm/W	Frosted
AV-HB-02-150-50LM3	150 W	3500 K - 5000 K	80	140 lm/W	Frosted
AV-HB-04-200-50LM3	200 W	3500 K - 5000 K	80	140 lm/W	Frosted
AV-HB-04-240-50LM3	240 W	3500 K - 5000 K	80	140 lm/W	Frosted
AV-HB-04-300-50LM3	300 W	3500 K - 5000 K	80	140 lm/W	Frosted

## FIXTURE DETAILS

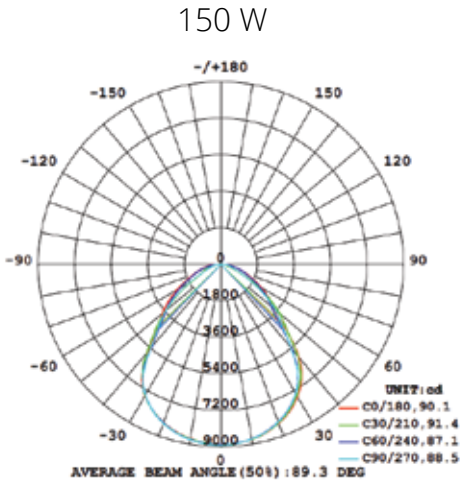
Efficacy	140 lm/W					
Wattage	100W	150 W	200 W	240 W	300 W	400 W
Lumen Output	14000 lm	21000 lm	28000 lm	33600 lm	42000 lm	56000 lm
LED Brand and Package	BRIDGELUX, 2835, 0.5W					
Operating Temperature	10°F to +120°F					
Number of LEDs	544	884	1040	1360	1768	1786
IP Rating	IP40					
Power Factor	> 0.95					
Heat Sink Type	Aluminum					

## MOUNTING OPTIONS

A. Hang the suspension rope through the rod, hook or ring.



## DISTRIBUTION DIAGRAM



## INSTALLATION

### A. Hang the suspension rope through the rod

1. Hook the spring buckle on the suspension rope to the installation hole of the lamp. ( Figure 1)
2. Connect all cables and terminals according to the wiring diagram, ensuring grounding is correct. (Figure 2)
3. Adjust the suspension rope to keep the lamp even and balanced. (Figure 3)

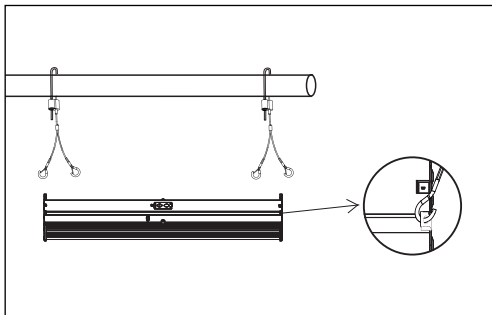


Figure 1

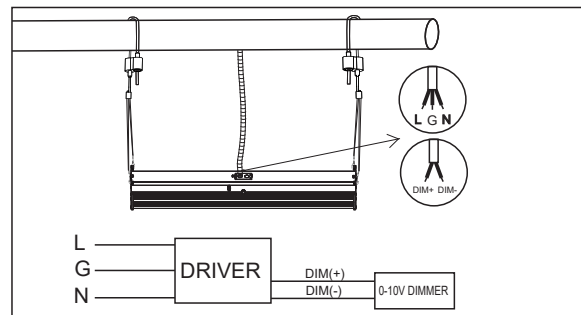


Figure 2

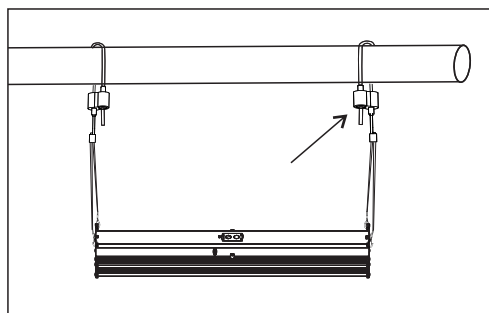


Figure 3