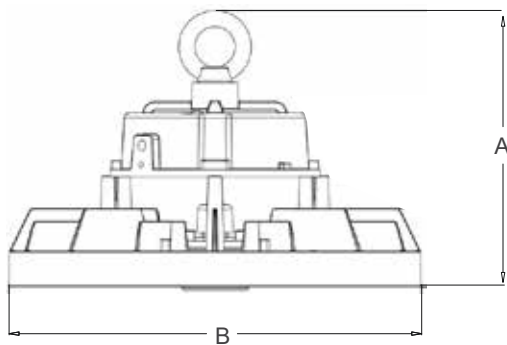


FEATURES



- Moisture and dust resistant.
- Smooth and uniform light output void of flicker or humming noise.
- Sleek and modern aesthetics combined with a rugged construction.
- Dimming option available, mode - Voltage (1-10V DC), PWM signal (10V).
- Inputs voltage range : 100 -277 V, 50-60Hz.

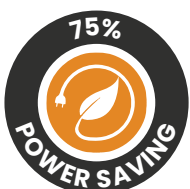
PHYSICAL PARAMETERS



Wattage	A (in)	B (in)
100 W	10.07	6.75
150 W	11.41	6.75
200 W-240 W	13.07	7.11

DESCRIPTION

The Averlite LED UFO High Bay comes with multiple lumen packages, distributions and meets DLC qualifications. It is designed to offer the necessary optical freedom and flexibility to meet the needs of a wide variety of lighting applications, not to mention the additional value of power efficiency! It is a direct replacement of the traditional HID fixtures.





ORDERING INFORMATION

SERIES CODE

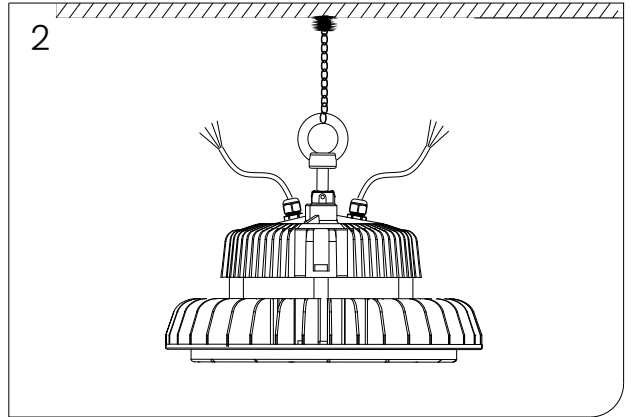
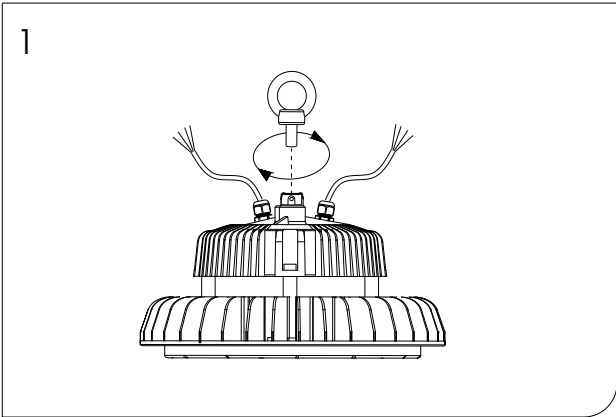
Model Number	Wattage	CCT Optional	CRI	Efficacy	Diffuser Type
XXXD0100WCVRXY	100 W	3000 K - 5000 K	80	140 lm/W	PC Lens
XXXD0150WCVRXY	150 W	3000 K - 5000 K	80	140 lm/W	PC Lens
XXXD0200WCVRXY	200 W	3000 K - 5000 K	80	140 lm/W	PC Lens
XXXD0240WCVRXY	240 W	3000 K - 5000 K	80	140 lm/W	PC Lens

FIXTURE DETAILS

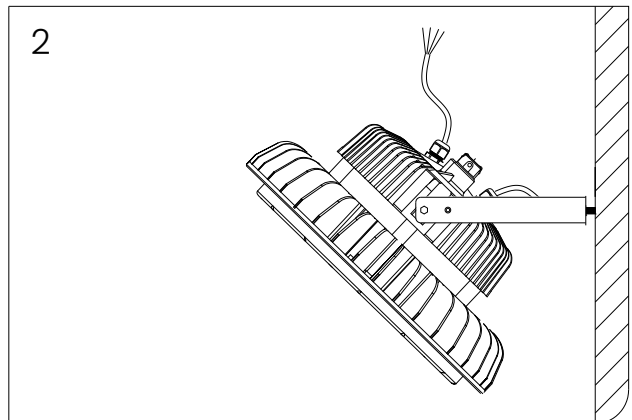
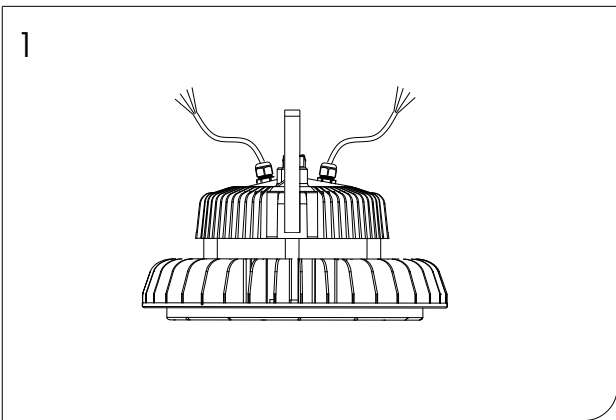
Efficacy	140 lm/W			
Wattage	100 W	150 W	200 W	240 W
Lumen Output	14000 lm	21000 lm	28000 lm	33600 lm
Heat Sink Type	Al Die-Cast			
LED Brand and Package	BRIDGELUX, 2835, 0.5W			
Typical LED Lumens	155 lm			
Operating Temperature	- 20° F to +120° F			
IP Rating	IP65			
Driver	MOSO G6			
Driver Current to LED	400 mA	700 mA	9500 mA	1100 mA
Power Factor	> 0.95			
Diffuser Type	PC Lens			
PCB Thickness	1.2 mm			
Heat Sink Weight	1 Kg	1 Kg	2 Kg	2 Kg

MOUNTING OPTIONS

A. CHAIN MOUNT



B. BRACKET MOUNT



C. HOOK MOUNT

